



500W LED SPORT LIGHT

P/N: 2025-37739-3 100/277VAC

2025-37739-4 277/480VAC



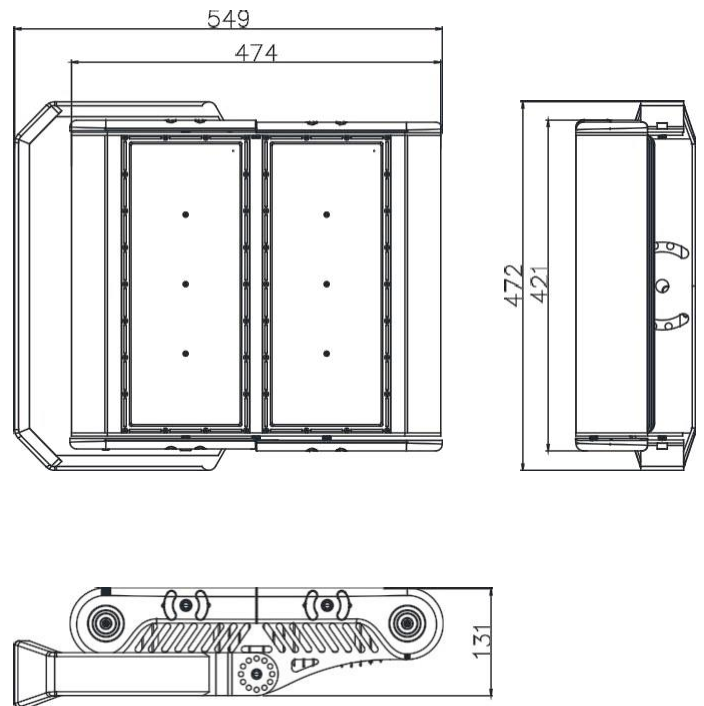
SLIP FIT OR FLOOD MOUNT

Advantage:

- DLC UL cUL certificate
- Input voltage 120-277Vac or 277-480VAC
- No UV or IR in the beam
- Easy to install and operate
- Energy saving, long lifespan
- Instant start, NO flickering, NO humming
- Green and eco-friendly without mercury
- Output constant current lever can be adjusted through output cable with 1-10V.

Application:

- Gymnasium;
- Square plaza;
- Shipyard, Airport ,wharf;
- High mast and Contour lighting, etc.



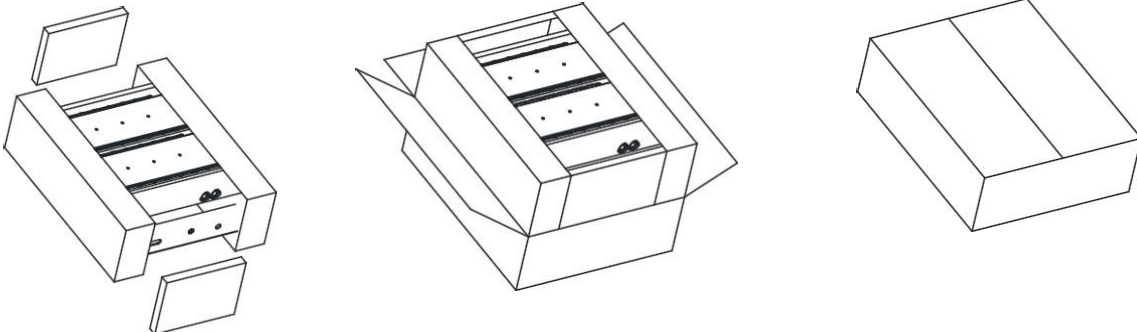
Specifications:

| | | |
|-------------------|---|--|
| OPTICAL | Input Power (Tolerance: $\pm 10\%$) | 500W |
| | Color Temperature | 5700K |
| | Lumen (Tolerance: -10%) | 67500LM |
| | Efficacy (Tolerance: -3%) | 125-135LM/W |
| | CRI | >70 |
| | Color Consistency | <6 Steps (or <6 SDCM) |
| | BUG | B4-U0-G5 |
| | Distribution Pattern | 40 ° |
| | Beam Angle (50%) (Tolerance: $\pm 15\%$) | 40 Degree |
| ELECTRICAL | Input Voltage and Frequency | 120-277VAC, 50/60Hz, or 277-480VAC, 50/60Hz |
| | PF (Tolerance: -3%) | ≥ 0.9 |
| | THD (Tolerance: $+5\%$) | $\leq 20\%$ |
| | Flicker Percent | <5% |
| | Driver Brand | SOSEN |
| | Driver Model | SS-240VA-56B*2 |
| | Driver Surge protection | L/N-PE: 10kV, L-N: 6kV |
| | Dimming | 1-10V dimming standard |
| | Optional Accessory | Surge-protective Device, |
| MATERIALS | LED Brand | Seoul |
| | LED Type | SMD3030 |
| | LED QTY | 576 PCS |
| | Housing | Aluminum |
| | Housing Color | Brown |
| | EPA | 2.15 ft ² |
| | Waterproof Rating | WET (IP65) |
| OTHERS | Operating Temperature | -40C TO 45C |
| | Storage Temperature | -40C TO 80C |
| | Operating Humidity | 20% - 90% RH |
| | Storage Humidity | 10% - 95% RH |
| | Warranty | 5 years warranty with 24/7 operating hours Luminaire lifetime at 25C . |

Package:

| Bracket Type | Carton Size | Qty / Carton | Net Weight / Carton | Gross Weight / Carton |
|----------------|----------------|--------------|---------------------|-----------------------|
| Slip Fit/Flood | 920*542*250 MM | 1 PC | 20 KG | 22.5 KG |

Tolerance of Carton Size: ± 15 MM, Tolerance of Weight: $\pm 10\%$.



Light Distribution Testing Parameters

Luminaire Property

Luminaire Manufacturer:
 Luminaire Category:
 Lamp Catalog:
 Number of Lamps:
 Luminous Length (mm):
 Luminous Height (mm):
 Current: 4.163 A
 Power Factor: 0.998

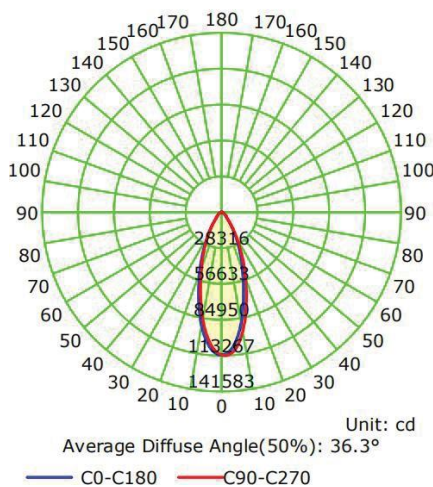
Luminaire Description:
 Lamp Description:
 Lumens per Lamp:
 Luminous Width (mm):
 Voltage: 120.0 V
 Power: 498.56 W

Photometric Results

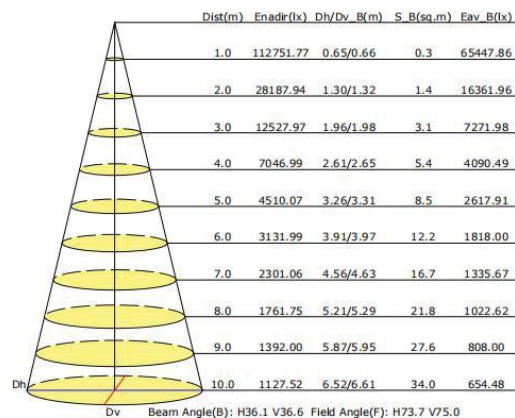
IES Classification: Type I
 Total Rated Lamp Lumens: 67546.6 lm
 Efficiency: 100%
 Upward Ratio: 3%
 C0r0 Intensity: 112751.77 cd
 Pos of Max. Intensity: H90 V1

Longitudinal Classification: Very Short
 Measurement Flux: 67546.6 lm
 Downward Ratio: 97%
 Luminaire Efficacy Rating (LER): 135.53
 Max. Intensity: 113267.15 cd

Luminous Intensity Distribution Curve



Illuminance at a Distance



NOTICE FOR USER

- Please turn off power before install or change assembly parts.
- The input voltage and lamps should be matched, after connecting the power line, Please make sure the wiring section is insulated.
- No-professionals, must not install and disassemble the lamps.

TROUBLE SHOOTINGS

| Troubles | Check points |
|-------------------------|--|
| Flickering of the light | Turn off the power and turn on again in 3 minutes. If same phenomena occur, then call agencies. |
| Out of working | Please check the connection. |